

MANUAL ESPOO FLOOR



IMPORTANT!!!

IT IS IMPERATIVE THAT YOU READ THE ENTIRE INSTALLATION AND OPERATING INSTRUCTIONS AND ADHERE TO THE SAFETY MEASURES DESCRIBED IN THIS DOCUMENT. DECOFLAME CANNOT BE HELD RESPONSIBLE FOR ANY DAMAGE CAUSED AS A RESULT OF NON-ADHERANCE TO THESE INSTRUCTIONS.

KEEP THE MANUAL IN A SAFE PLACE FOR FUTURE REFERENCE.

PLEASE STORE THE ORIGINAL PACKAGING IN CASE YOUR FIREPLACE SHOULD BE RETURNED TO THE FACTORY FOR REPAIR.

Use **ONLY** bioethanol with a pure alcohol percentage of 96.5 - 97.5% without additives or oils. Nor must the consistency be viscous or jelly-like - and nothing must be added to the bioethanol. Recommended bioethanol products are attached as a separate document.

TABLE OF CONTENT

1. Packaging	Page 3
2. Box contents	Page 3
3. Safety	Page 3
4. Assembly & installation	Page 4
5. Operating instructions	Page 7
6. Maintenance	Page 8
7. Pump	Page 9
8. Bioethanol	Page 10
9. Disposal and recycling	Page 11
9. Explanation of symbols	Page 11

It is imperative that you read this manual before using the fireplace. Keep the manual in a safe place for further reference.

It is important that you read the installation and operation instructions and adhere to the safety measures described in this document.

Decoflame ApS cannot be held responsible for any damage caused as a result of non-adherence to these instructions.

Please keep the packaging of your fireplace in case it needed to be sent back to the factory.

1. PACKAGING

Upon receiving the fireplace, take notice of the following:

The fireplace can be packed in:

- 1) A cardboard box with polystyrene inside and placed on a pallet.
- 2) A wooden crate with polystyrene inside and with 50-100mm wooden support for easier handling with a fork- or pallet lift.

Damages of the packaging

Please check the state of the cardboard box or the wooden crate while the courier is still there for visible damages.

If any damages are visible on the packaging it is **EXTREMELY IMPORTANT** to write a report remark about them on the delivery note, in the presence of the courier. Afterwards it is very important to contact Decoflame immediately with the following documentation:

- 1) Photos of all 4 sides of the pallet or wooden crate / cardboard box.
- 2) A description and explanation of the damage.
- 3) A copy or a photo of the delivery note from the driver/courier with the written remark and tracking number.

Contact the courier company immediately and inform them about the damage. Please remember to inform the tracking number.

Decoflame will contact you within the following 3-5 working days.

When you remove the fireplace from the pallet or take it out of the box, please follow the instructions below carefully.

Unpacking the fireplace

Lift or drive the whole box or crate as close as possible to the place where the fireplace is going to be mounted or installed.

Make sure that you slowly and carefully take out the fireplace and place it down on a flat surface without dropping it.

Please make sure that every item or part is wrapped out of the foam foil. If anything is missing please contact Decoflame immediately or send an email describing the missing parts together with photos of the contents in the box.

It is very **IMPORTANT** to keep the wooden crate or the cardboard, in case the fireplace will need to be returned to Decoflame for service or repair. In the situation where the original packaging is not available anymore, Decoflame can send a new wooden crate. For further information about the costs, please contact Decoflame.

Damages of the Fireplace

If the packaging is not damaged and corresponding to the images sent by Decoflame with the tracking number, the wooden crate/cardboard box can be open.

If you notice any damage on the fireplace, the following information needs to be sent with Decoflame:

- 1) Photos of all 4 sides of the pallet / wooden crate AND the fireplace.
- 2) A description and explanation of the damage.
- 3) A copy or a photo of the delivery note from the courier with the written remark and tracking number.
- 4) Contact the courier and inform them about the damages. Please remember to inform the tracking number.
- 5) Contact Decoflame by email and enclose all documents according points 1-4.

Please remember to inform the tracking number and order number - up to 5 digits (The order number can be found on the delivery note from Decoflame or from your retailer).

The deadline for claiming transport damages is maximum 3 working days from the date of delivery.

Contact information at Decoflame:

Decoflame ApS
Vang Mark 2
9380 Vestbjerg
Denmark
Tel. +45 96 30 48 00

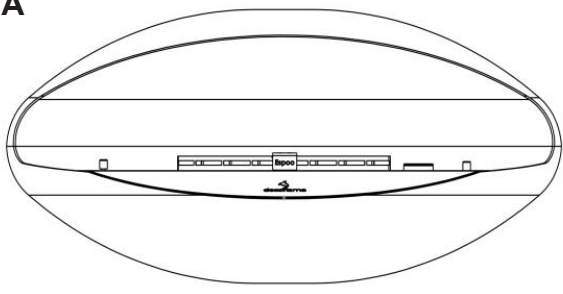
(Opening hours: Mon-Thur. 08:00-16:00 and Fri. 08:00-15:30 Danish Time)
Email: logistic@decoflame.dk
Attention line in the email: Order number (Up to 5 digits).

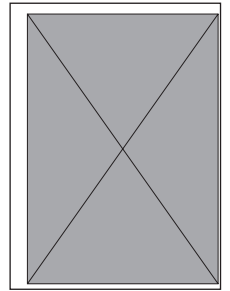
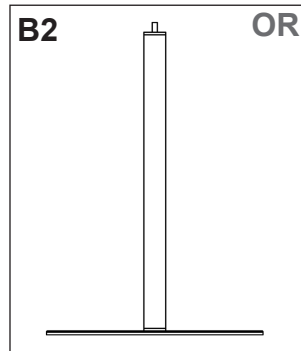
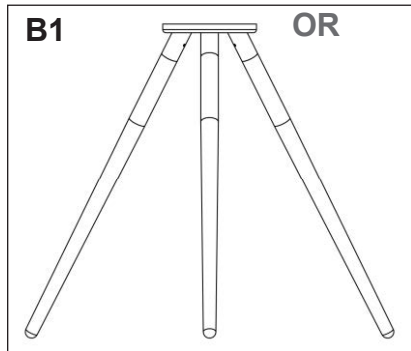
Decoflame refers to The Generals Sales and Delivery Terms.
If any questions or doubts please contact Decoflame or local retailer.

DO NOT

1	DO NOT open the box or wooden crate with sharp objects.
2	DO NOT flip the cardboard box or wooden crate on the sides or on the top. The arrow stickers MUST be followed carefully.
3	DO NOT use a hammer or other hard objects.
4	DO NOT use saws or other similar objects.
5	DO NOT smoke near the fireplace as there might be bioethanol
6	DO NOT lift in the parts which are sensitive to lifting and bending.

2. CONTENT OF THE BOX

	A:	1	Espoo Casing
	B1:	1	Oak legs
	B2:	1	Brushed stainless steel base
	C:	1	External fuel pump
	D:	1	Electronic arc lighter
	E:	1	Manual



3. SAFETY

Naturally, safety is imperative when dealing with open fire. Espoo Floor is designed, manufactured and quality-tested with highest product safety and user-friendliness in mind.

DO NOT use it without the glass surround. Use the lid and the handle when switching off the burner

In case you plan to use Espoo Floor indoors, please consult local regulations and laws, which might restrict indoors use of bioethanol fire.

Your Decoflame fireplace has been technically engineered to offer not only beautiful design, but also functionality and safety.

DO NOT amend, add or omit any parts or components of this fireplace as this will void your warranty.



Do not fill fuel into the open flame



Do not fill fuel into the hot burner

ATTENTION

1	Chose a position for your fireplace which is not exposed to any draught, as bioethanol is a volatile fluid. In fact, only the vapors of the bioethanol are burning when lit.
2	Choose a solid ground surface, where the fireplace stands in a secure and level position.
3	Avoid draughts, as this can cause soot formation and increases the fuel consumption.
4	When choosing a suitable position for your fireplace please also consider keeping it out of reach of smaller children and pets.
5	For safety reasons always keep a safety distance of at least 40 cm (16 in) from a lit fireplace.
6	ONLY fill bioethanol using the pump.
7	ONLY adults may light and extinguish the flames.
8	You should not touch the flames of the lit fireplace or blow into the flames, as this will cause the flames to escape from the fireplace and become uncontrollable.
9	When lit, the surfaces of the upper part of the burner will be warm. Avoid touching those surfaces.
10	NEVER leave the fireplace unattended when it is lit.
11	Are there children or pets around? If so, make sure an adult keeps an eye on them at all times during the operation of your fireplace.
12	ALWAYS light and extinguish your Decoflame® fireplace in a safe manner.
12	ALWAYS have a wet cloth/fireproof cloth and appropriate fire extinguisher nearby the fireplace.



4. ASSEMBLY & INSTALLATION

A1: ESPOO FLOOR

Heat efficiency:	MAX 2.1 kW/h
Weight:	37 kg
Burner volume:	2.3 litres of bioethanol. Only use bioethanol of at least 96,5% to max 97,5% for DecoFlame® fireplaces.
Burning duration/consumption:	A full tank will last between 6-10 hours, depending on flame intensity and air flow.

POSITIONING

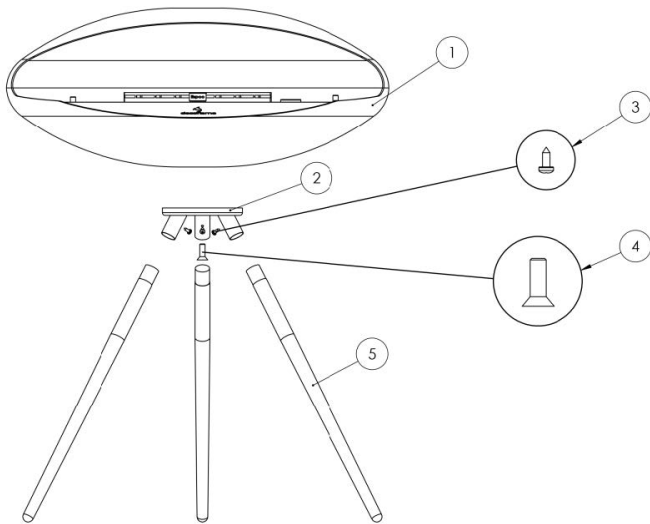
Please consult local regulations and laws, which might restrict/forbid indoors use of this type of bioethanol fire.

1. The Espoo Floor model is primarily intended for indoor use. However, it may also be positioned on a balcony or terrace, provided it is not exposed to the elements.
2. The fireplace must be placed on a solid floor with a minimum distance of one meter (40 inches) from curtains, sunshades, textiles, or other flammable objects.
3. A suitable position for the Espoo Floor should be chosen before lighting it.
4. The fireplace must not be moved or lifted while it is lit.
5. It should be placed in a location that is not exposed to draughts, as bioethanol is a volatile fuel.
6. Only the vapor of the bioethanol burns when lit.
7. Direct contact with the flames or blowing into the flames should be avoided, as this may cause the flames to extend uncontrollably beyond the fireplace.
8. Valuable paintings or electronic equipment, such as TV screens or speakers, must not be positioned above the fireplace. The warm air rising from the fire can cause damage to objects in its path.
9. The Espoo Floor fireplace must not be recessed into a niche, placed below shelving, or positioned inside a very small room.
It should not be placed directly against a wall. Use in conservatories is permissible only if the ambient temperature does not exceed normal room temperature.
10. A safety distance of at least 40 cm must always be maintained from a lit fireplace. No objects should be placed on top of the fireplace.
11. In homes with children or pets, an adult must supervise them during the operation of the fireplace, and the fireplace must never be left unattended while lit.



For further assistance or clarification, DecoFlame may be contacted.

INSTALLATION (USING TRIPOD)



1. Espoo fireplace
2. Tripod flange
3. 4,8 screws (3pcs)
4. M10 bolt (1pcs)
5. Wooden leg (3pcs)

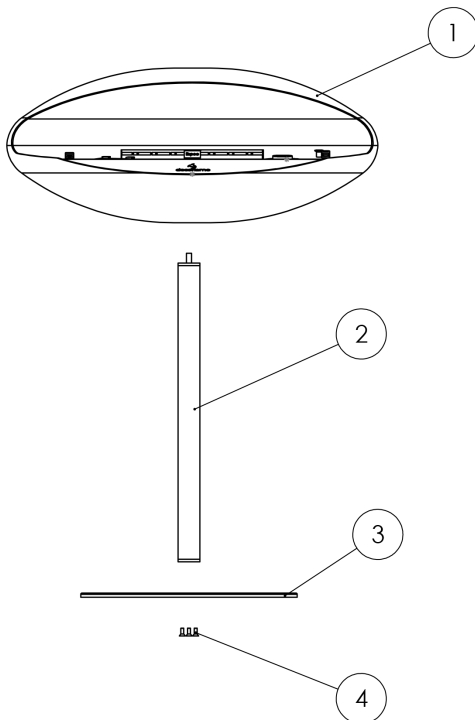
Installation of base & Espoo fireplace

(best done by two people)

1. Insert the wooden legs in the tripod flange, and make sure that you have pushed them all the way in.
2. Fix the wooden leg by screwing three screws (nr. 3) into the holes on pipes under the tripod.
3. Now you have completed the assembly of the tripod & legs, you should bring it to standing position, and then put the fireplace on top and locate the hole for M10 under the fireplace,
4. Finally, screw and tighten the M10 bolt (no. 4) underneath the fireplace.

Attention! Please check for any loose connections.

INSTALLATION (USING STEEL LEG)



1. Espoo fireplace
2. Steel leg
3. Base flange
4. M6 bolt (3pcs)

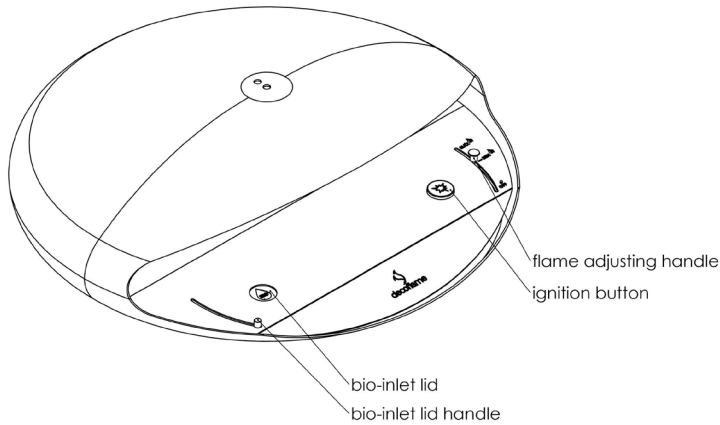
Installation of base & Espoo fireplace

(best done by two people)

1. Fix the steel leg (nr. 2) to the base flange (nr. 4) using the three M6 bolts (nr. 4).
2. Screw the assembly of the flange & telescope under the fireplace and fasten it.

Attention! Please check for any loose connections.

5. OPERATING INSTRUCTIONS



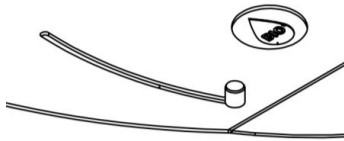
Espoo Floor is designed and manufactured exclusively for use with liquid bioethanol of the highest purity (96.5 -97.5%) without additives.

DO NOT use other fuel, material or bioethanol of inferior quality, as the warranty will be void. The model is equipped with a filling pump to avoid spillage or overflow of bio during the filling process.

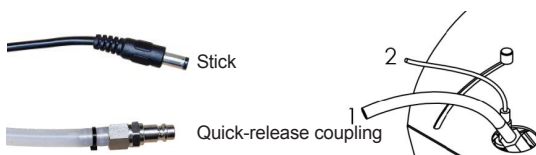
FILLING

The fireplace must **ONLY** be filled when it is cold! To increase safety, this model is equipped with a temperature sensor, thus, the pump does not start when the fireplace is hot or in operation.

Buy the bioethanol online or at Decoflame dealers. Make sure it is min. 96.5% and max. 97.5% and without additives. It is recommended to buy a 3-liter bioethanol canister as indicated to the right.



1. Open the fuel tank cover using the handle on the left side and push it towards the burner as shown above.
2. Open a can of bioethanol. Place the hose without quick coupling into the can.
3. The hose with the quick coupling is led up to the fireplace's tank filling.
4. Push the quick coupling until it clicks and until it is locked.
5. When both hoses are positioned correctly, the plug can be inserted. When the plug is in place, the pump starts to fill.



Wait until the tank is full. The fireplace is equipped with a sensor which cuts off the pump, when the bioethanol reaches a certain level in the tank. This mechanism controls the risk of overfilling the tank. **IMPORTANT** The sequence must be followed as shown in the picture. The coupling must always be connected first. Then insert the plug.

ATTENTION! The fireplace should be refilled every time before starting the fire.

OVERFILLING

A fault in the pump or sensors can lead to overfilling the tank. It is important to check the bottom of the fireplace for bioethanol. The small hole under the fireplace ensures that the bioethanol does not escape in the event of overfilling.

DO NOT light the fireplace if you have overfilled it!

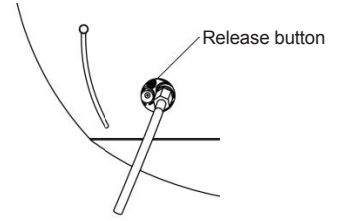
It is recommended to use a 3-liter canister. In case of overfilling, use a piece of paper towel to wipe up excess bioethanol on the burner, the surrounding surfaces and the bottom of the fireplace. Wait 24 hours before starting the fireplace again. If the error occurs again, the fireplace must not be used. In this case, you must immediately contact Decoflame's Service Department for further instructions.

6. MAINTENANCE

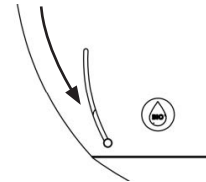
REFILLING

Under no circumstances refill the burner while it is in operation or still hot from previous use. For safety reasons, this fireplace is equipped with a temperature sensor that prevents the pump from filling when the fireplace is hot. Wait 20-30 minutes before the fireplace has cooled down. It is then ready for refilling.

1. Once pump stopped, stick should be unplugged first, and then coupling can be released by pushing the black round button.



2. Due to safety reasons, fuel inlet lid should be moved back to closed position as shown in the picture.



LIGHTNING

To light the fireplace, the handle (on the right side) for adjusting the fire must be placed in the "MAX" position. Espoo Floor is equipped with an easy ignition system: When the adjustment handle is in the "MAX" position, the fireplace can be lit using the ignition button.

IMPORTANT INFORMATION

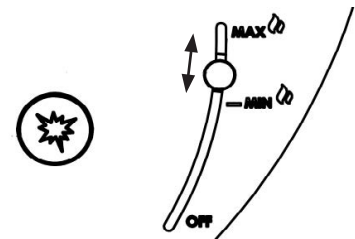
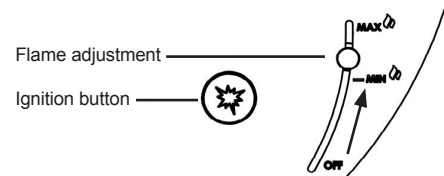
Bioethanol Temperature:

For optimal ignition, it is advisable to allow the bioethanol used to fill the tank to reach ambient room temperature if it is initially very cold. This will enhance ignition efficiency when using the fireplace's integrated spark igniter.

PLEASE NOTE: If the bioethanol remains cold or if the ambient room temperature is exceptionally low, the supplied electric lighter may be used to safely ignite the flame.

ATTENTION! Flame adjustment

When adjusting the flame on your Espoo fireplace, flame can only be adjusted between "MIN" and "MAX" marks, if you pull it under "MIN" position, it would be pushed back to "MIN" position.



ATTENTION! When turning off the fireplace

Follow these steps carefully when you want to extinguish the flame on your Espoo fireplace:

Step 1: Adjust the flame

- Always adjust the flame to the marked "MIN" level. Adjusting below this point can affect the fireplace's operation and safety.

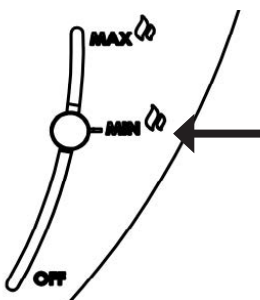
Step 2: Extinguish the fire

- Wait 1 minute after setting the flame before completely turning off the fireplace.
- Pull the control handle to the "OFF" position & keep it in the position for 5 seconds.

Trin 3: After Check

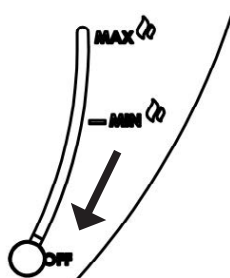
- Release the handle after 5 seconds gently, and let the handle to be pulled back to the "MIN" position or above.
- Check the flame and ensure that it extinguishes immediately.
- Restart the process from step 1, if the fire is not out.

Refer to the image below for visual guidance:



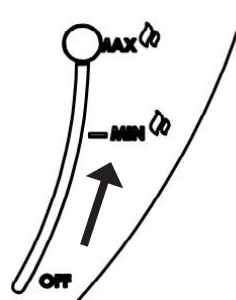
Step 1:

Hold in "MIN" position for 60 seconds.



Step 2:

Extinguish the fire by pulling the handle and move it to "OFF" position, and keep it in the position for 5 sec.



Step 3:

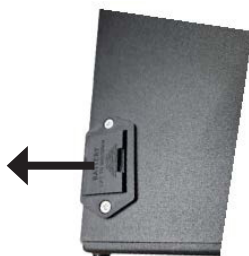
Wait 5 sec. release the handle gently and move it to "MIN" position and ensure that the fire is completely out.

PUMP

The Espoo Floor contains a pump to fill the tank. The pump is battery powered. It is important to check when the battery is discharged. The battery must be replaced with a new one. Depending on the type and brand of the battery, it lasts for approx. 20-30 refills. The pump's 9V battery must be replaced as indicated below:



Find the battery lid on the side of the pump



Push the lid in shown direction to release



Once the cover has been removed, pull out the battery compartment

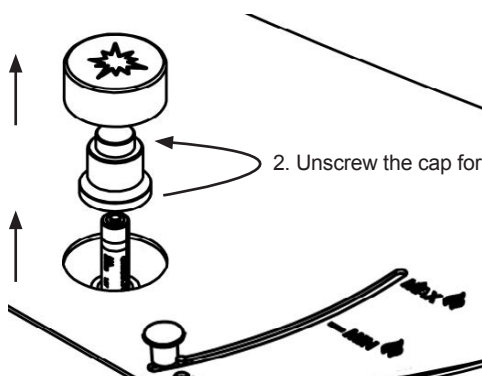


Replace the battery with a new one and slide the compartment back into the pump

IGNITION SYSTEM

To increase safety, the fireplace is equipped with an ignition system that ignites the flames. It is important to note that the ignition system only works if the bioethanol and the fireplace are at room temperature. This ignition system uses a AAA battery to generate sparks. Depending on the battery type, it should last for at least 5-6 months. In case of low battery, replace the battery as indicated below:

1. Lift the ignition button!



2. Unscrew the cap for battery!

3. Pull out the battery and replace it with a new one!

4. After replacing battery, screw back the cap and put the ignition button on top.

7. BIOETHANOL

BIOETHANOL IS EXTREMELY FLAMMABLE!

Storing conditions

Always thoroughly follow the instructions on the packaging of the bioethanol. The bioethanol must be stored safely and out of the reach of children!

Only store in original and correctly labeled containers. Keep containers tightly closed. Store in a cool, dry and ventilated room away from ignition sources, oxidizers and non-compliant materials. Provide preventive measures against the generation of static charge. The bioethanol must be at room temperature before it can be ignited.

Safety measures

Preventive measures: Avoid inhalation of vapors. Avoid contact with eyes, skin and clothing. Persons who are prone to skin allergies or lung disease should not come into contact with bioethanol. Use standard precautions for working with chemicals.

Measures to prevent fire

Due to the high flammability of the product strictly follow the special fire protection measures at the storage location. Protect containers from overheating.

Bioethanol should be stored in a fireproof container and out of the reach of children.

Prevent bioethanol from coming in contact with heat, sparks and flames. Keep away from non-compliant materials such as metal or alkali.

Flash point 13°C / boiling point 78°C. The fireplace can be difficult to start, if it is below room temperature.

DO NOT

1	DO NOT use any other fuel, materials or bioethanol of inferior quality as this will void your guaranty.
2	DO NOT use any sentences or oils to your bioethanol as this will void your guaranty.
3	DO NOT mix bioethanol with other fuels as this will void your guaranty.

Denatured Bioethanol is classified as:

Flammable Liquid Class 1B (for Flammability)

Class 3 PGII (for Transportation)

UN1170 (Identification Code)

Regulated by various standards around the world.

You must familiarise yourself and comply with these regulations in order to safely and legally store, handle, decant and use this fuel.



DO NOT

1	The bioethanol must not be ignited if the burner is overfilled.
2	The burner must not be refilled with bioethanol until the temperature has dropped below 40°C.
3	Smoking is prohibited while refilling the burner with bioethanol.
4	Under no circumstances may the burner be refilled while it is in operation or still hot from previous use.
5	Blowing out or blowing into the flames must be avoided, as this may cause the flames to escape from the fireplace and become uncontrollable.
6	The fireplace must not be covered while it is ignited.
7	Flammable materials or clothing must not be placed on the fireplace.
8	It is not permitted to place objects on the burner.
9	The burner must not be decorated with ceramic pebbles or other items, as this may cause overheating and damage to the glass enclosure.
10	No pebbles or stones may be placed on the burner, as these may break and cause injury or damage to the fireplace.
11	The burner must not be used as a grill, as it is not suitable for cooking food.
12	The flames must not be touched.

8. DISPOSAL AND RECYCLING

The fireplace is made of powder-coated steel and brushed steel. If you wish to dispose of the fireplace, the regional rules and regulations must be observed.

Most parts from the Decoflame fireplace can be reused.

9. SYMBOLS OF AWARENESS



Do not fill fuel into the open flame



Do not fill fuel into the hot burner



Do not position the fireplace near combustible items



Protect fireplace against draft



No smoking



Never blow the fire



Do not touch the flames



Keep suitable extinguishing agent ready



The fuel instructions and the use of a fire blanket must be followed



Warning - flammable material



Health hazard

The package will include:

A:	1	Espoo casing
B1:	1	Legs made of oak
B2:	1	Base in brushed stainless steel
C:	1	External fuel pump
D:	1	Electronic arc lighter
E:	1	Manual

Decoflame ApS

Date

FAQ:

<https://www.decoflame.com/service>

Follow the Fire Authorities and national and local requirements regarding bioethanol fireplaces.

Subject to product and glass tolerances, typographical errors and technical errors.

Decoflame ApS reserves the right to make changes without notice.

We refer to Decoflame's General Terms of Sale and Delivery.

V030924