

REDUCTION IN DAMAGE / CADRE DE FINITION

= OPTION / OPTION

CAN STILL BE MOUNTED AFTER THE INSTALLATION OF THE FIREPLACE (SLIDES INTO THE INNER WALL OF THE OUTER CASING)

CAN BE INSTALLED AFTER THE FIREPLACE HAS BEEN INSTALLED (SLIDES ONTO THE INSIDE WALL OF THE OUTER BOX)

3 SIDED FRAME

2cm or 4cm



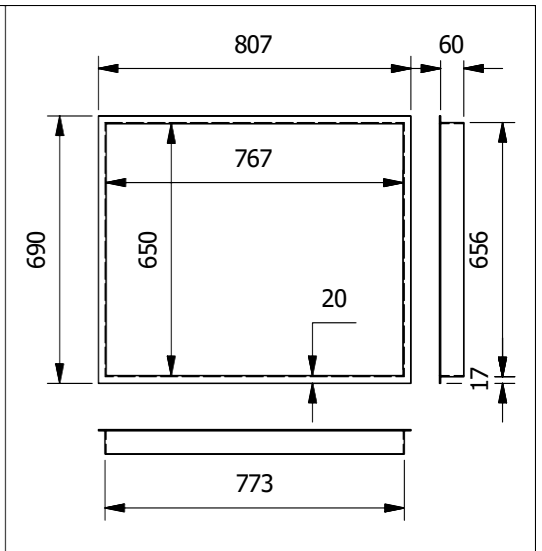
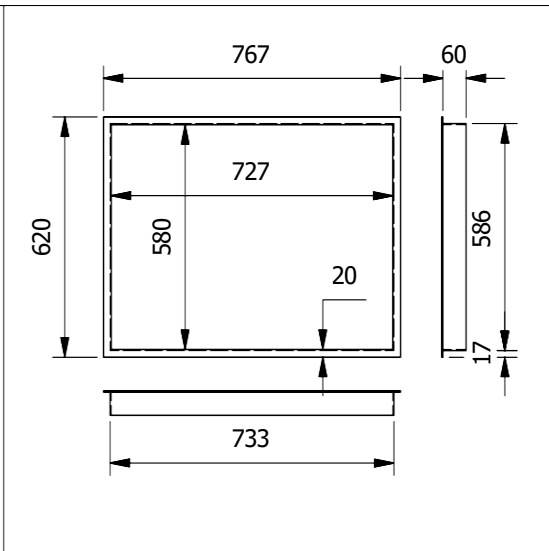
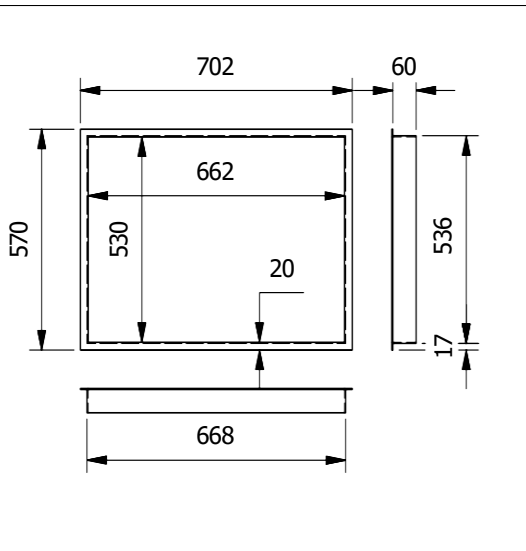
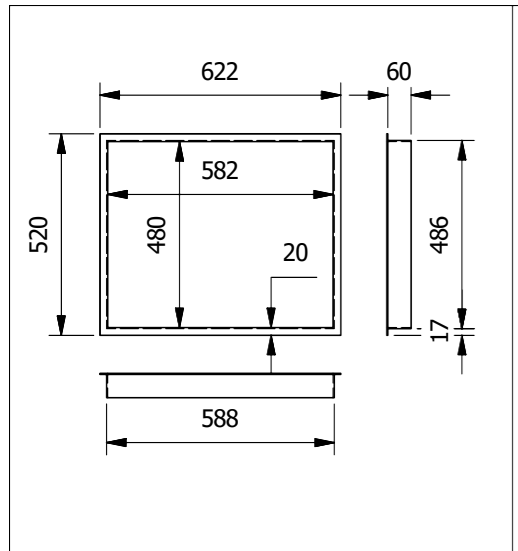
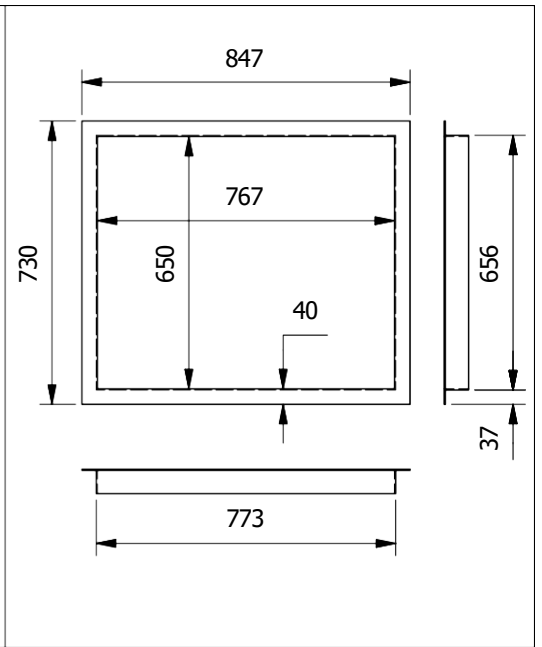
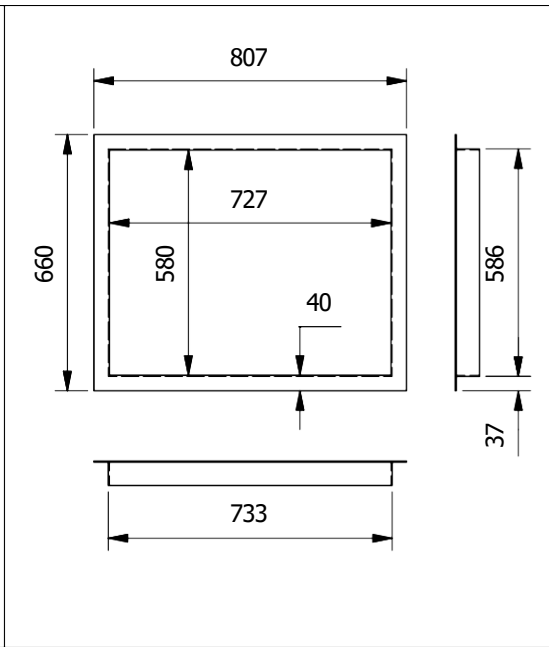
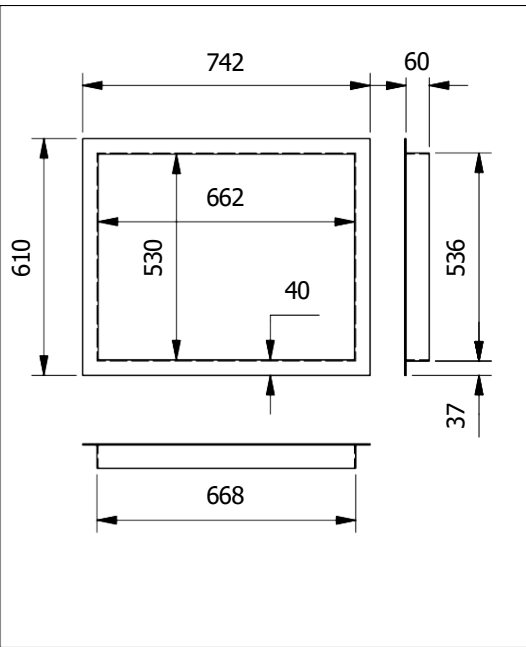
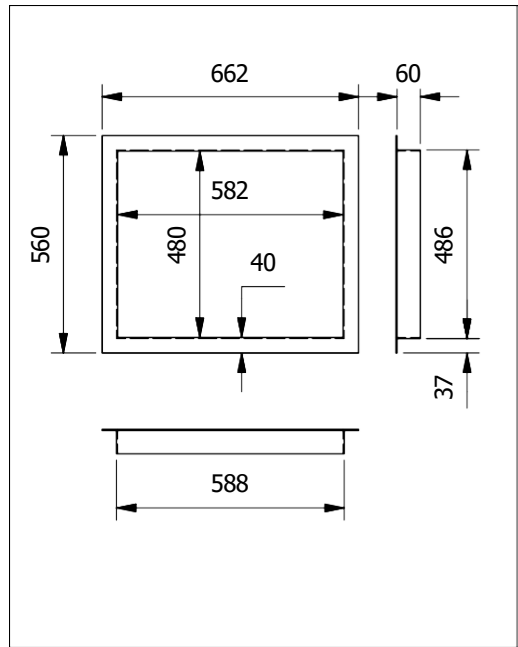
4 SIDED FRAME

2cm or 4cm



4-SIDED FRAME 4cm and 2cm

INTERRA 60	INTERRA 68	INTERRA 74	INTERRA 78
------------	------------	------------	------------



3-SIDED FRAME 4cm and 2cm

INTERRA 60	INTERRA 68	INTERRA 74	INTERRA 78
------------	------------	------------	------------

