

Alandale Eco SC

- With or without Log Store

town & country fires



- 4.6kW
- Smoke Control
- ECO Design Ready
- Wood Burning
- Energy Class A
- Energy Efficiency Index 99%
- 78.5% efficient
- 5" diameter flue (top flue only)
- Suitable for a 12mm Hearth
- Built in Tertiary Air
- Optional Outside Air Kit
- Optional Remote Control
- Stay Cool Stainless Steel Handle
- Distance from combustible material:
Back 350mm / Side 350mm
- Max. Log Length 250mm
- Weight 70kg

The ALANDALE is a new contemporary looking stove designed purely for burning wood. It is a smaller version of the PICKERING stove with sleek lines and a good size glass and can burn logs up to 250mm long.

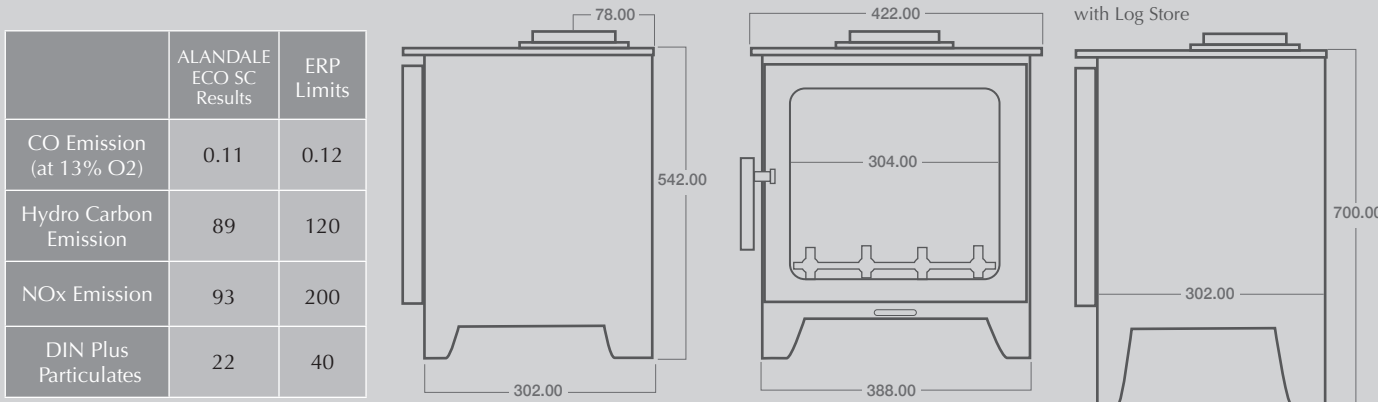
It is rated at 4.6KW heat output and is tested to the new Eco Design standards coming into force in 2022. It is a good choice for the environmentally conscious with low emissions and is approved for burning wood in smoke control areas.

As with all our new stoves the control is very easy, just one lever at the front below the door to control the air intake and the tertiary air which ignites the gases at the rear of the firebox for a cleaner burn.

The stove is fitted with our new design cool touch door handle for ease of use. There is also a log store version of the ALANDALE which is suitable for taller openings or freestanding situations.



Patent granted on rear air inlet for secondary air, tertiary air system and remote control



Alandale

The Alandale is named in loving memory of Town and Country Fires Founding Director, Alan Thurlow, who started the company with his wife, Ruth, in 1977.